



Open, Close, Live



EXTREME
PERFORMANCES

PROJECT



POLARIS **2XT**
REVOLUTION **XT**



MINIMAL PLUS **XT**



EASY-FIX **XT**

XT, KEEP EVOLVING:

THE NEW TECHNOLOGY ENHANCES THE PERFORMANCES OF MAGNETIC LOCKS.

AGB has launched the project of technological innovations to improve the performances of the magnetic locks.

In a global market, the maximum adaptability to extreme atmospheric elements and difficult installations is the key of Your and our success.

POLARIS **2XT** and REVOLUTION **XT**: the smart magnetic locks that win also against the most difficult weather conditions.

MINIMAL PLUS **XT**: the flexible striker with wide adjustments never seen before. For a perfect installation, without defects.

EASY-FIX **XT**: the adaptable striker for an easy installation.



POLARIS 2XT AND
 REVOLUTION XT:
 INCOMPARABLE
 PERFORMANCES
 FOR EXTREME
 CONDITIONS



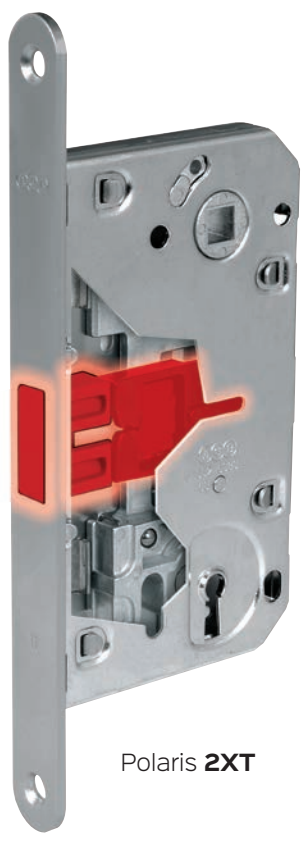
XT

THE MOST SUITABLE LOCKS FOR
 THE MOST DIFFICULT WEATHER
 CONDITIONS

The new locks **Polaris 2XT** and **Revolution XT** were created with innovative materials in order to ensure the lock functioning even with extreme weather conditions (humidity, dust, chemical agents).



Revolution **XT**



Polaris **2XT**

T
 C
 E
 J
 O
 R
 P

RANGE
 IMPROVEMENT

FOREND IN STAINLESS STEEL

Polaris 2XT with forend in stainless steel is the everlasting magnetic lock. As concerns the rust resistance, it is second to none.



MINIMAL PLUS XT

EXTREME ADJUSTMENTS, PERFECT CLOSING

The installations on-site aren't a problem anymore!

Minimal Plus **XT** offers a range of extremely wide adjustments, to allow a correct door closing even when the installations are complicated. Thanks to the notched part, Minimal Plus **XT** is adjustable up to $\pm 1,5$ mm obtaining several intermediate positions. If 3 mm aren't enough, turning the cover tray, you can avail other 1,5 mm.

The producer is free of after-sales requests, due to the most common problems during installation.

UP TO 4,5 MM
ADJUSTMENT




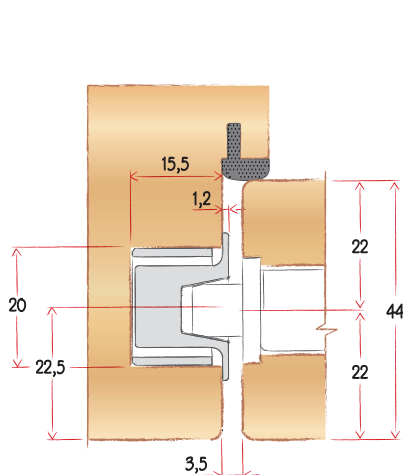
Wide adjustments even when the striker is already installed.


Minimalist and linear design, the Minimal Plus **XT** striker is very discreetly installed on the door frame.

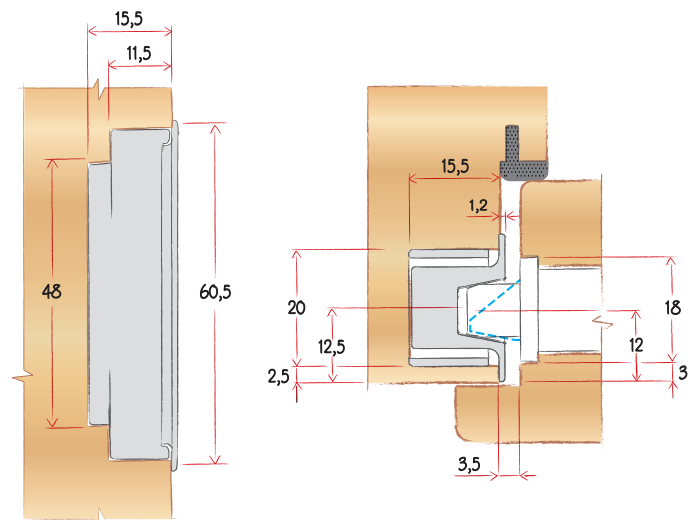


Fixed by means of the patented AGB system with 3,5 mm screws hidden within the striker niche.

 Example of flush application with Polaris 2XT & Revolution XT



 Example of rebated application with Mediana Evolution, Polaris 2XT, Revolution XT



EASY-FIX XT



EXTREME VERSATILITY, EXTREME FREEDOM

Easy-Fix **XT** has been designed to let maximum freedom to door producers and installers.

The striker was born to offer wide tolerances during the cover tray milling. The frontal insertion allows to assemble the cover tray after the plate installation.

In the surface mounted version, the wide covering edge offers great installation freedom.

Easy-Fix **XT** was created to be installed even on-site, just milling the frame!

Adjustments

1,5 mm for flush doors
3 mm for rebated doors



1,2 mm thickness
for flush doors



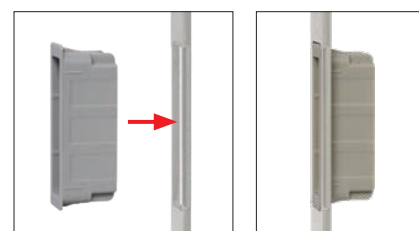
2,2 mm thickness
for rebated doors



1,2 mm thickness
for rebated doors



The clip system blocks the latch cover tray on the plate.

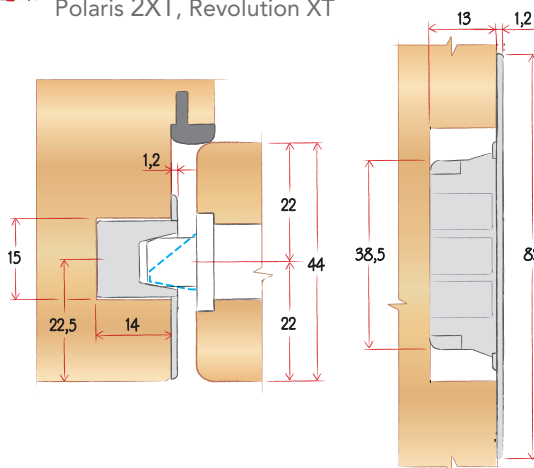


Surface mounted plate

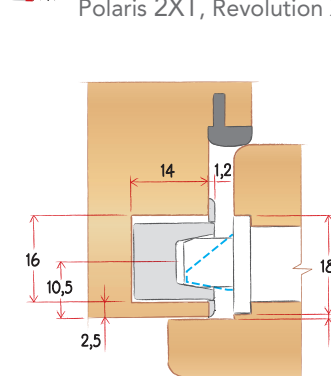
Easy-Fix XT, 1,2 mm

Thanks to a reduced thickness, Easy-Fix XT 1,2 mm is suitable for the surface mounting without notching the metal part on the frame. Available for flush doors with 35-40-44 mm thicknesses and for rebated doors.

Example of flush application with Mediana Evolution, Polaris 2XT, Revolution XT



Example of rebated application with Mediana Evolution, Polaris 2XT, Revolution XT

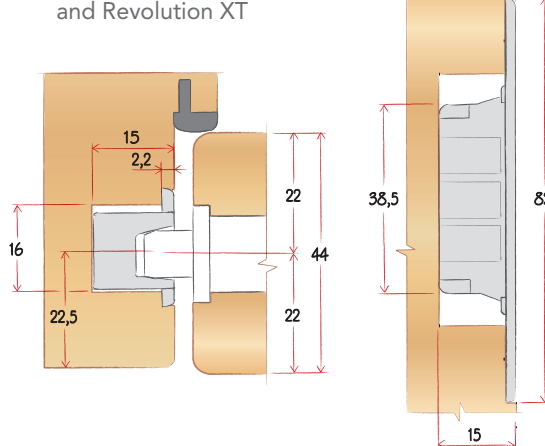


Embedded plate

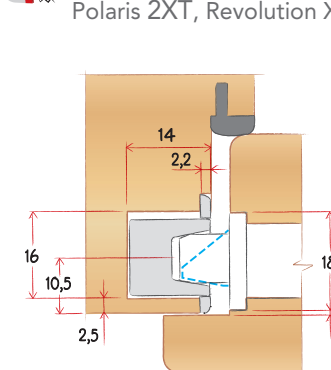
Easy-Fix XT 2,2 mm

It was created to face different automation solutions. It is the most suitable for the requirements of high industrialized door producers.

Example of flush application with Polaris 2XT and Revolution XT



Example of rebated application with Mediana Evolution, Polaris 2XT, Revolution XT



XT PROJECT:
ALWAYS ONE STEP AHEAD



MINIMAL PLUS **XT**

EXTREME ADJUSTMENTS,
PERFECT CLOSING

'PATENTED'



EASY-FIX **XT**

EXTREME VERSATILITY,
EXTREME FREEDOM



XT

PROJECT

KEEP EVOLVING

LOCKS



MEDIANA EVOLUTION



POLARIS **2XT**



REVOLUTION **XT**

STRIKERS



MINIMAL PLUS **XT**



MINIMAL **XT**



ALUTOP **XT**



EASY-FIX **XT**



EASY-FIX **LT**



EASY-MATIC **XT**



Open, Close, Live

Alban Giacomo spa
Via A. De Gasperi, 75
36060 Romano d'Ezzelino (VI) Italy
+39 0424 832 832
www.agb.it - info@agb.it

MADE IN ITALY