

ECLIPSE SELF

CONTROLLED SELF-CLOSING HINGE
FOR HOTEL DOORS

MADE IN ITALY



Open, Close, Live

322



**SELF
CLOSING**





ECLIPSE SELF

CONTROLLED SELF-CLOSING HINGE FOR HOTEL DOORS

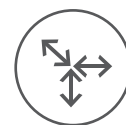
Hinge with adjustable integrated door closer and patented device that controls the closing rotation of the door.

The device is adjustable and ensures the excellent movement of sash for every kind of door.

The system is concealed in order to enhance the design of hotel door.



Self-closing
system



Wide
adjustments



Minimal
design

MADE IN ITALY



ECLIPSE SELF: COMPLETE CONTROL OF THE HO

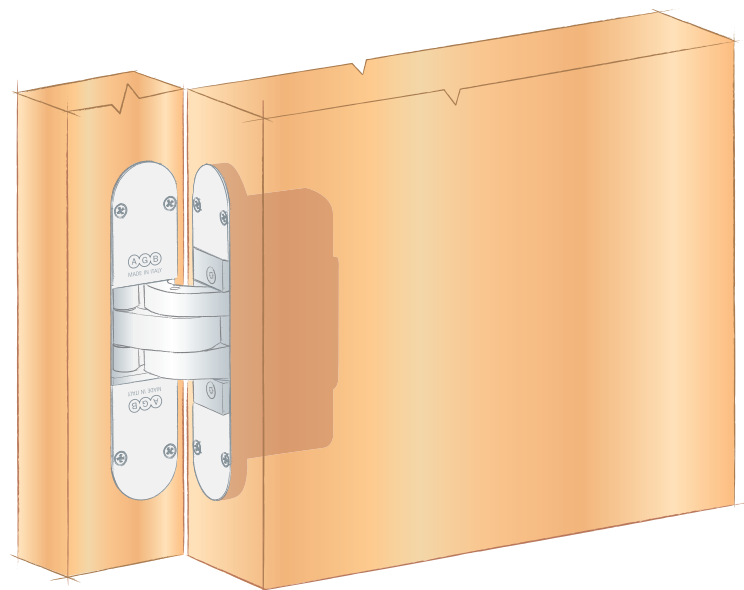
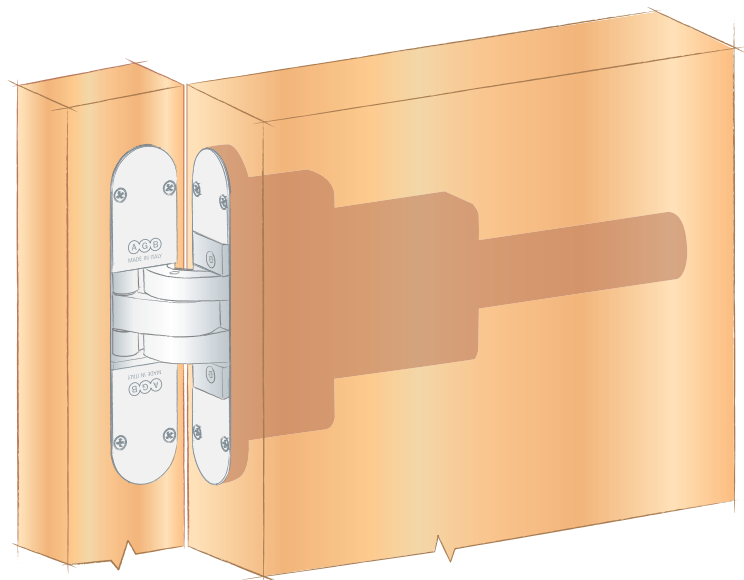
The door kit of Eclipse Self is composed by a hinge with closing device and a hinge without closing device. The use of a third hinge without device is optional.

HINGE WITH DEVICE

The oleodynamic device allows the door close by itself controlling the rotation. Thanks to wide adjustments, the door always closes in an optimal way, without slamming.

HINGE WITHOUT DEVICE

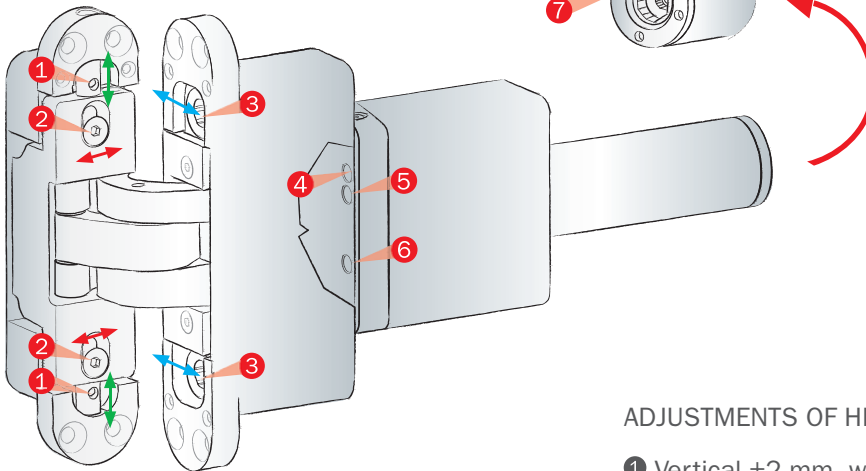
This hinge has to be coupled with a hinge with device to guarantee the correct sash alignment and a great capacity.



TEL DOOR

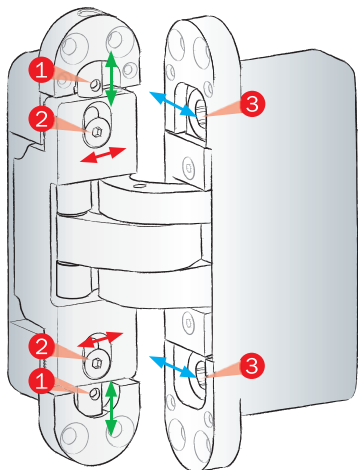
Frame part

Sash part



ADJUSTMENTS OF HINGE PART:

- ① Vertical ± 2 mm, with a 3 mm Allen key;
- ② Pressure ± 1 mm, with a 3 mm Allen key;
- ③ Horizontal $-1,5/+2,5$ mm, with a 8 mm Allen key.



ADJUSTMENTS OF CLOSING DEVICE:

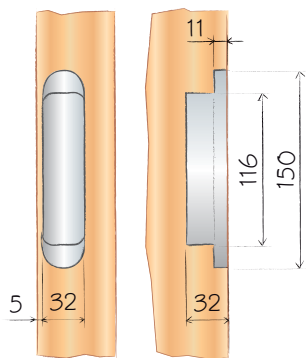
- ④ Speed of final step (in the last 12° of closing) with a 2,5 mm Allen key;
- ⑤ Maximum opening corner, with a 2,5 mm Allen key;
- ⑥ Closing speed with a 2,5 mm Allen key;
- ⑦ Power of closing during rotation with a 12 mm Allen key.

Frame part

Sash part

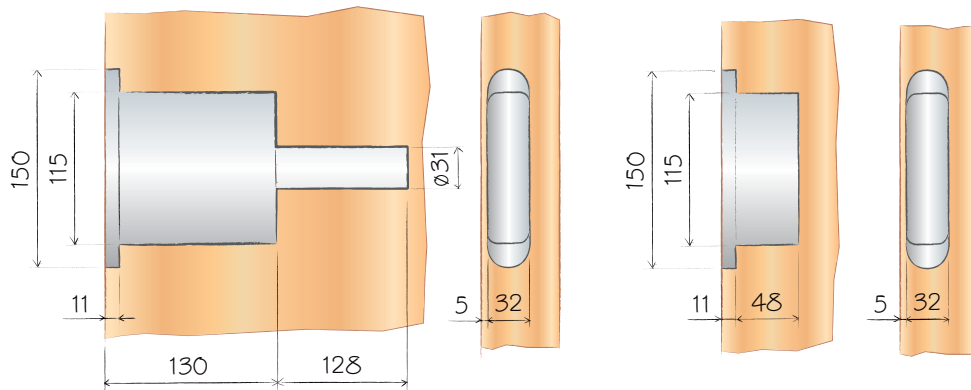
TECHNICAL INFORMATION AND PERFORMANCES

FRAME PART



hinge with and without device

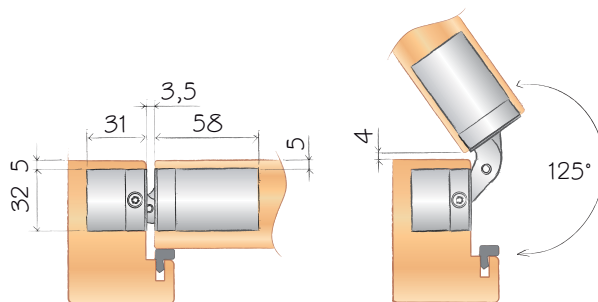
SASH PART








hinge with device

hinge without device

SASH ROTATION



 DOOR TYPE	 CAPACITY	 HINGE ADJUSTMENTS	 ADJUSTMENTS IN CLOSING	 MAXIMUM OPENING
flush door	100 kg	3	4	125°



ECLIPSE SELF

COMPLETELY CONCEALED,
IT ENHANCES THE DESIGN
OF HOTEL DOOR.

MADE IN ITALY



Open, Close, Live

Alban Giacomo spa

Via A. De Gasperi 75,
36060 Romano d'Ezzelino (VI) Italy
+39 0424 832 832
www.agb.it - info@agb.it

MADE IN ITALY